

Fire Ribbon Direct Vent Vu Thru with mandatory safety screen

Model No.

91

Viewing Area

36.33" W x 17" H

Exterior Dimension

52.5" W x 32" H x 24" D

Framing Dimension

53.5" W x 40.5" H x 22.75" D

Gas Type*

Natural or LP/Propane

Gas Connection

1/2" pipe

On/Off

Programmable/thermostatic remote control standard

Efficiency

Up to 80%

Venting Options

Through exterior wall or vertical through roof. **Must vent 2' vertically before horizontal venting.**

Vent Type

DuraVent DirectVent Pro 46DVA

Must source locally, not included.

Thermostat activated 160 c.f.m.

Fan

110 V.

Electric

BTU input Natural gas

27,000 - 39,000 BTU/h

BTU input LP/propane

27,000 - 38,000 BTU/h

Doors/glass

Interior Color

2 Fixed ceramic glass panels

Sustained operating gas pressure parameters:

Satin Black

Natural gas 5.0" - 10.5" w.c.

LP/propane 11.0" - 13.0" w.c.

Certifications

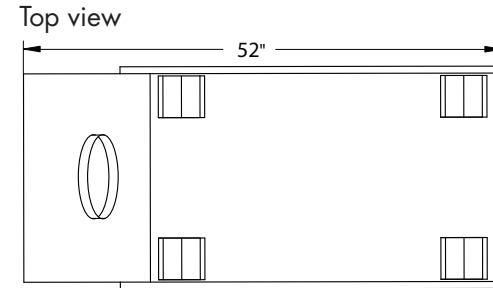
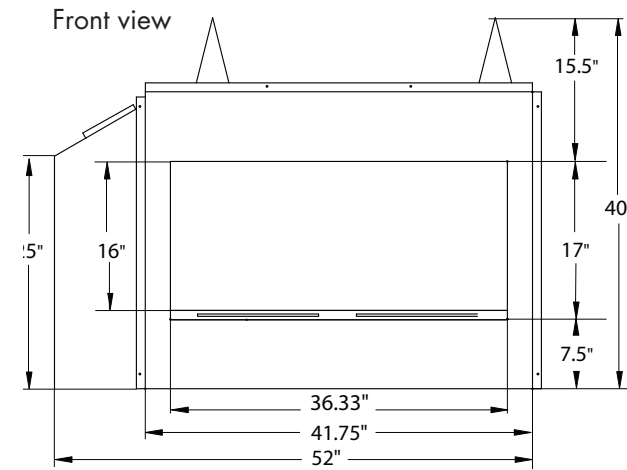
Omni-Test Laboratories ANSI
Z21.88-2014, CSA 2.33-2014, CGA 2.17
M91 (R2009), CSA P.4.1-09 (2014)

Options

Fire Objects

Media Tray, required when using fire objects

*Must be specified at time of ordering.



Right side view

