

Fire Ribbon Vent Free 3 ft Vu Thru

MODEL NO.

54 E

| | |
|--|--|
| Viewing Area | 36" W x 18" H |
| Exterior Dimension | 41.16" W x 28.25" H x 18" D |
| Framing Dimension | 42" W x 31.5" H x 18.5" D |
| Gas Type* | Natural or LP/propane |
| Gas Connection | 1/2" Pipe |
| On/Off | Remote control |
| Efficiency | Up to 95% |
| Venting Options | n/a |
| Vent Type | n/a |
| Fan | n/a |
| Electric | 110v with battery backup |
| BTU input Natural gas | 24,000 - 34,000 BTU/h |
| BTU input LP/propane | 24,000 - 34,000 BTU/h |
| Doors/glass | No doors or fixed glass panels |
| Interior Color* | Satin Black or Stainless Steel |
| Sustained operating gas pressure parameters: | Natural gas 5.0" - 10.5" w.c. LP/propane 11.0" - 13.0" w.c. |

Certifications

Omni-Test Laboratories
ANSI Z21.11.2a-2008

Options

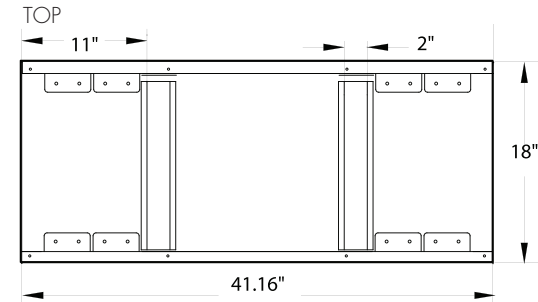
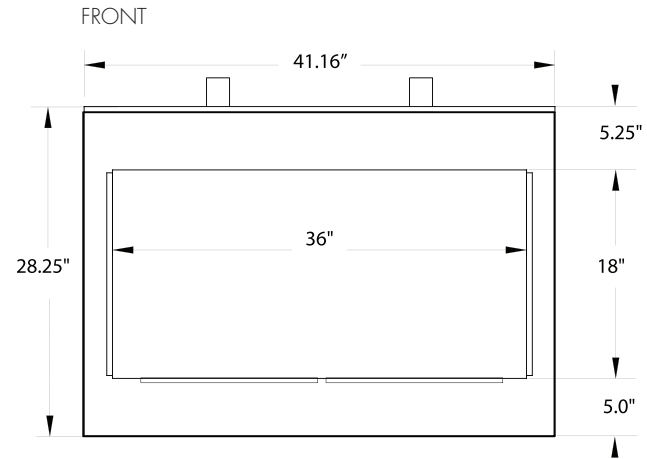
*Must be specified at time of ordering.

Stainless Steel firebox
Fire Objects
Media Tray, media tray required when using fire objects
Safety screen

Note: This is a high throughput gas appliance and critical attention is needed to size the gas pipes properly.

RESTRICTIONS:

Vent-free fireplaces are prohibited in certain geographies. Please check local codes. Canada, California and New York City prohibit vent-free fireplaces. Vent-free fireplaces are also prohibited for use in bedrooms, bathrooms and above 4,500 ft in elevation.



SIDE

