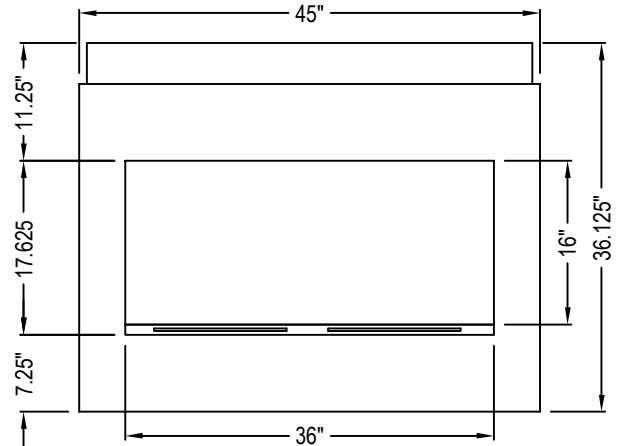
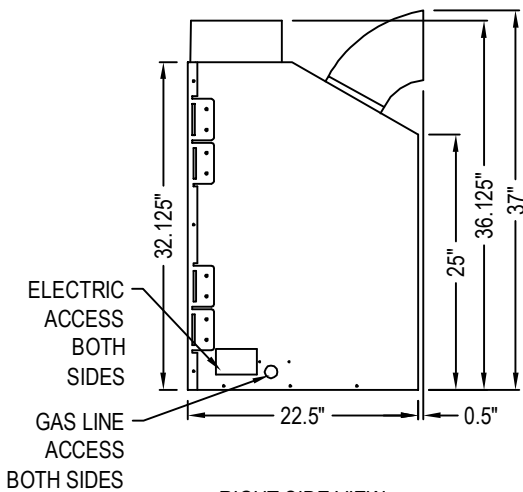




SPARK MODERN FIRES
 99 B GREENWOOD AVENUE
 BETHEL, CT 06801
 TOLL FREE: 1-866-938-3846
 www.sparkfires.com

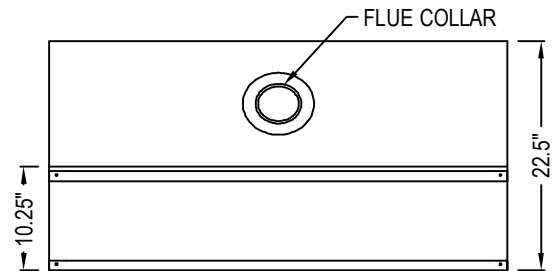


FRONT VIEW
 DOES NOT REQUIRE VERTICAL VENTING.

RIGHT SIDE VIEW

SPECIFICATIONS

- VIEWING AREA: 36" W X 16" H
- EXTERIOR DIMENSIONS: 45" W X 36.125" H X 22.5" D
- *GAS TYPE: NATURAL OR LP/PROPANE
- *ON/OFF: REMOTE CONTROL
- EFFICIENCY: UP TO 80%
- VENTING OPTIONS THROUGH THE ROOF OR EXTERIOR WALL
- **VENTING TYPE: SIMPSON DURAVENT GS PRO 6 5/8" DIAMETER
- FAN: THERMOSTAT ACTIVATED 160 C.F.M
- ELECTRIC: 110 V.
- BTU INPUT: 19,000 - 28,000 BTU/H
- DOORS/GLASS: FIXED CERAMIC GLASS PANEL
- *INTERIOR COLOR: SATIN BLACK
- CERTIFICATION: OMNI-TEST LABORATORIES
ANSI Z21.88-2009 CSA 2.33-2009

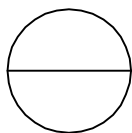


TOP VIEW

- *OPTIONS: SAFETY SCREEN*
- *MUST BE SPECIFIED AT TIME OF ORDERING (SAFETY SCREEN IS RECOMMENDED FOR PUBLIC INSTALLATIONS)
- TIME OF ORDERING FIRE OBJECTS AND MEDIA TRAY*
- **MUST SOURCE LOCALLY (MEDIA TRAY REQUIRED WHEN USING FIRE OBJECTS)

NOTES:

1. INSTALLATION TO BE COMPLETED IN ACCORDANCE WITH MANUFACTURER'S SPECIFICATIONS.
2. DO NOT SCALE DRAWING.
3. THIS DRAWING IS INTENDED FOR USE BY ARCHITECTS, ENGINEERS, CONTRACTORS, CONSULTANTS AND DESIGN PROFESSIONALS FOR PLANNING PURPOSES ONLY. THIS DRAWING MAY NOT BE USED FOR CONSTRUCTION.
4. ALL INFORMATION CONTAINED HEREIN WAS CURRENT AT THE TIME OF DEVELOPMENT BUT MUST BE REVIEWED AND APPROVED BY THE PRODUCT MANUFACTURER TO BE CONSIDERED ACCURATE.
5. CONTRACTOR'S NOTE: FOR PRODUCT AND COMPANY INFORMATION VISIT www.CADdetails.com/info AND ENTER REFERENCE NUMBER 1847-023.



DIRECT VENT FIREPLACES

FIRE RIBBON DIRECT VENT 3' FIREPLACE (MODEL 88)