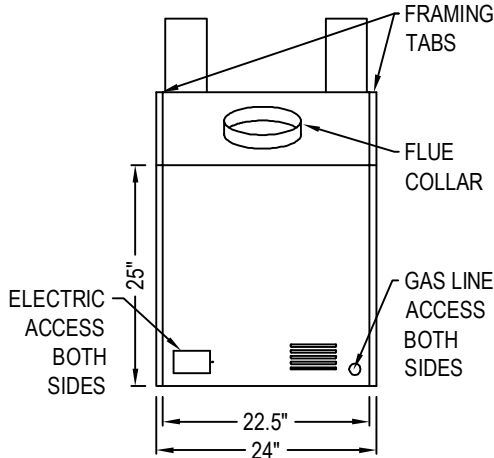
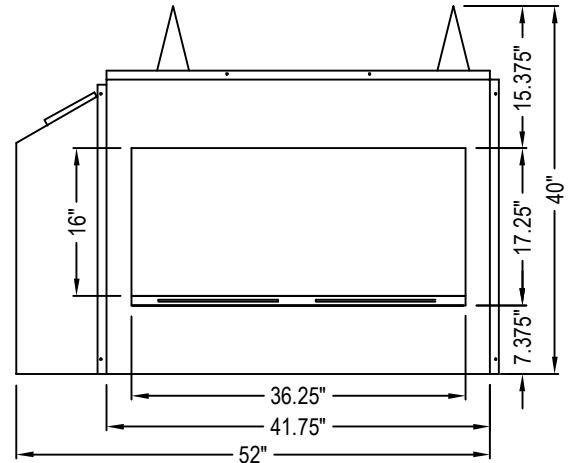




SPARK MODERN FIRES  
 99 B GREENWOOD AVENUE  
 BETHEL, CT 06801  
 TOLL FREE: 1-866-938-3846  
 www.sparkfires.com



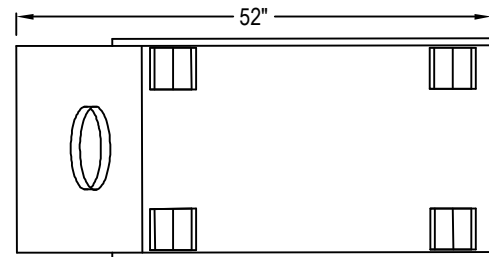
RIGHT SIDE VIEW



FRONT VIEW

SPECIFICATIONS

- GLASS VIEWING AREA: 36.25"W X 16"H
- OUTER DIMENSIONS: 52"W X 40"H X 24"D
- \*GAS TYPE: NATURAL OR LP/PROPANE
- \*ON/OFF: REMOTE CONTROL
- EFFICIENCY: UP TO 80%
- VENTING OPTIONS: THROUGH SIDE WALL OR ROOF
- \*\*VENT TYPE: SIMPSON DURAVENT GS PRO 6 5/8" DIAMETER
- FAN: THERMOSTAT ACTIVATED 160 C.F.M.
- ELECTRIC: 110 V.
- BTU INPUT: 27,000 - 38,000LP (39,000NG) BTU/H
- DOORS/GLASS: 2 FIXED CERAMIC GLASS PANELS
- INTERIOR COLOR: SATIN BLACK
- CERTIFICATION: OMNI-TEST LABORATORIES  
 ANSI Z21.88-2005 CSA 2.33-2005



TOP VIEW

OPTIONS: SAFETY SCREEN\*

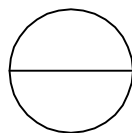
\*MUST BE SPECIFIED AT TIME (SAFETY SCREEN IS RECOMMENDED FOR PUBLIC INSTALLATIONS)

OF ORDERING. FIRE OBJECTS AND MEDIA TRAY\*

\*\*MUST SOURCE LOCALLY. (TRAY REQUIRED WHEN USING FIRE OBJECTS)

NOTES:

1. INSTALLATION TO BE COMPLETED IN ACCORDANCE WITH MANUFACTURER'S SPECIFICATIONS.
2. DO NOT SCALE DRAWING.
3. THIS DRAWING IS INTENDED FOR USE BY ARCHITECTS, ENGINEERS, CONTRACTORS, CONSULTANTS AND DESIGN PROFESSIONALS FOR PLANNING PURPOSES ONLY. THIS DRAWING MAY NOT BE USED FOR CONSTRUCTION.
4. ALL INFORMATION CONTAINED HEREIN WAS CURRENT AT THE TIME OF DEVELOPMENT BUT MUST BE REVIEWED AND APPROVED BY THE PRODUCT MANUFACTURER TO BE CONSIDERED ACCURATE.
5. CONTRACTOR'S NOTE: FOR PRODUCT AND COMPANY INFORMATION VISIT [www.CADdetails.com/info](http://www.CADdetails.com/info) AND ENTER REFERENCE NUMBER 1847-008.



**DIRECT VENT FIREPLACES**

FIRE RIBBON DIRECT VENT 3' VU THRU FIREPLACE (MODEL 91/92)