

## Fire Ribbon Direct Vent Tri Vu with mandatory safety screen

### Model No.

**92**

### Viewing Area

36.33" W x 17" H

### Exterior Dimension

52.5" W x 32" H x 24" D

### Framing Dimension

52.75" W x 40.5" H x 22.75" D

### Gas Type\*

Natural or LP/Propane

### Gas Connection

1/2" pipe

### On/Off

Programmable/thermostatic remote control standard

### Efficiency

Up to 80%

### Venting Options

Through exterior wall or vertical through roof. **Must vent 2' vertically before horizontal venting.**

### Vent Type

DuraVent DirectVent Pro 46DVA

Must source locally, not included.

Thermostat activated 160 c.f.m.

### Fan

110 V.

### Electric

### BTU input Natural gas

27,000 - 39,000 BTU/h

### BTU input LP/propane

27,000 - 38,000 BTU/h

### Doors/glass

3 Fixed ceramic glass panels

### Interior Color

Satin Black

### Sustained operating gas pressure parameters:

Natural gas 5.0" - 10.5" w.c.

LP/propane 11.0" - 13.0" w.c.

### Certifications

Omni-Test Laboratories ANSI Z21.99-2006

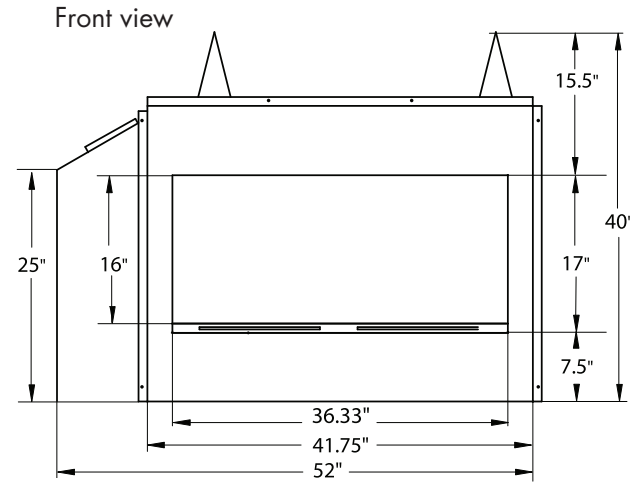
CSA 2.33-2005

### Options

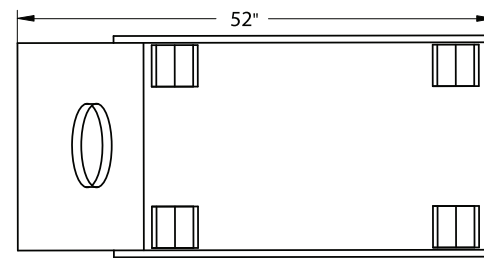
\*Must be specified at time of ordering.

Fire Objects and Media Tray\*

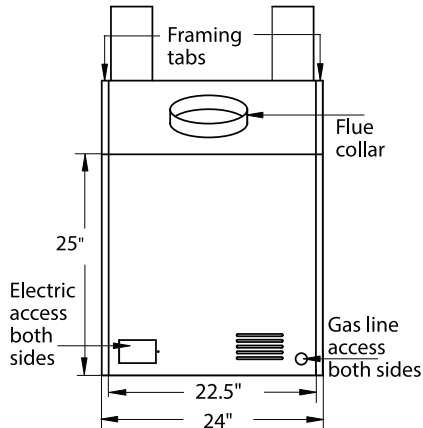
\*required when using fire objects



Top view



Back view



Side view

