

# SPARK Fire Ribbon Direct Vent Vu Thru



A modern fire  
with double the impact



Look right through your fire and enjoy it from two rooms. The Vu Thru has an open airy window feel that fits flawlessly into any modern environment.



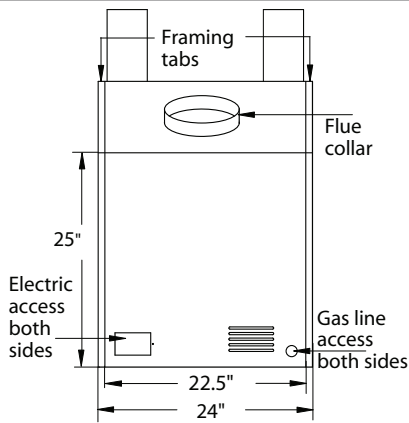
SPARK  
modern fires

[www.sparkfires.com](http://www.sparkfires.com)

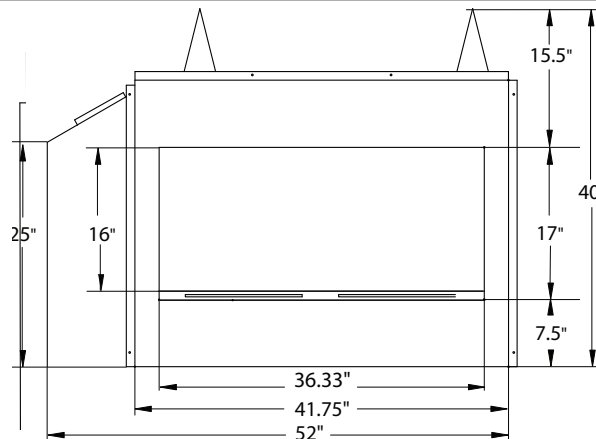
# SPARK Fire Ribbon Direct Vent Vu Thru



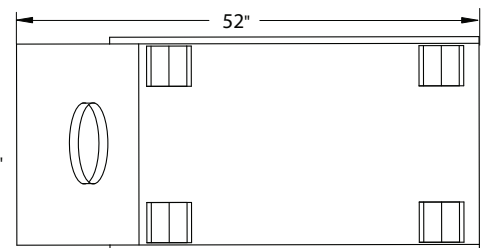
Right Side view



Front view



Top view



**Model No.**

**91** with mandatory safety screen

**Viewing Area**

36.33" W x 17" H

**Exterior Dimension**

52.5" W x 32" H x 24" D

**Framing Dimension**

53.5" W x 40.5" H x 22.75" D

**Gas Type**

Natural or LP/Propane

**Gas Connection**

1/2" pipe

**On/Off**

Programmable / thermostatic remote control standard

**Efficiency**

Up to 80%

**Venting Options**

Through exterior wall or vertical through roof.  
**Requires 2' vertical vent before any horizontal venting**

**Must source locally, not included.**

**Vent Type**

DuraVent DirectVent Pro 46DVA

**Fan**

Thermostat activated 160 c.f.m.

**Electric**

110 V.

**BTU input Natural gas**

27,000 - 39,000 BTU/h

**LP/propane**

27,000 - 38,000 BTU/h

**Doors/glass**

2 Fixed ceramic glass panels

**Interior Color**

Satin Black

**Max Supply Pressure**

10.5" w.c. for natural gas

13.0" w.c. for LP/Propane

**Min Supply Pressure**

5.0" w.c. for natural gas

11.0" w.c. for LP/Propane

**Certifications**

Omni-Test Laboratories ANSI Z21.99-2006

CSA 2.33-2005

**Options**

\*Must be specified at time of ordering.

\*\*Must source locally.

Add even more design to your fire with our custom Fire Objects\* and Media Tray\* (Tray required when using fire objects)

Please consult manual for surround installation.

**Why pick a Spark Fire Ribbon Vu Thru?**

- Vent through the roof or exterior wall
- Up to 80% efficient
- Heating capacity enhanced with integrated fan
- Approved for bedrooms, bathrooms and all common rooms
- Accepted by all major building and mechanical codes in the U.S. including the IMC (International Building Code) and the UMC (Uniform Mechanical Code). *Please check with local codes before ordering.*
- Approved in all 50 states and Canada
- No draft concerns
- Safety of fixed ceramic glass



**SPARK**

modern fires

Spark Modern Fires  
99B Greenwood Avenue | Bethel, CT 06801

www.sparkfires.com p. 866.938.3846