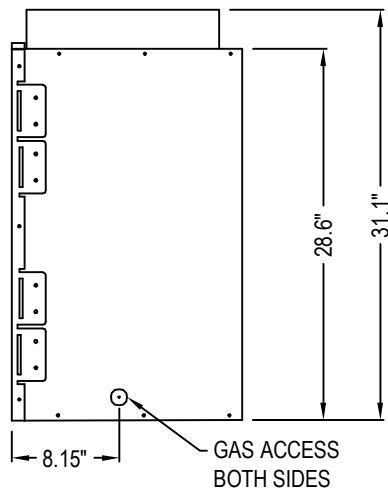
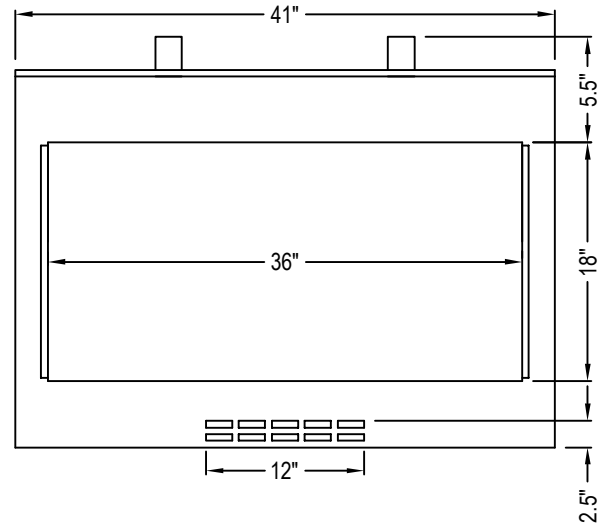




SPARK MODERN FIRES
 99 B GREENWOOD AVENUE
 BETHEL, CT 06801
 TOLL FREE: 1-866-938-3846
 www.sparkfires.com

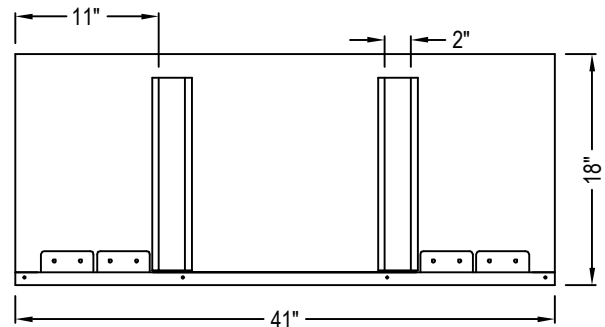


RIGHT SIDE VIEW



FRONT VIEW

- INTERIOR OPENING: 36"W X 18"H
- EXTERIOR DIMENSIONS: 41" W X 28.6" H X 18" D
- FRAMING DIMENSIONS: 42" W X 31.5" H X 18.5" D
- GAS TYPE*: NATURAL OR LP/PROPANE
- GAS CONNECTION: 1/2" PIPE
- *ON/OFF: REMOTE CONTROL OR WALL SWITCH
- EFFICIENCY: OVER 95%
- ELECTRIC: N/A
- BTU INPUT NATURAL GAS: 23,000- 34,000 BTU/H
- BTU INPUT LP/PROPANE: 24,000 - 34,000 BTU/H
- DOORS/GLASS: NO DOORS OR FIXED GLASS PANEL
- *INTERIOR COLOR: SATIN BLACK OR STAINLESS STEEL
- CERTIFICATION: OMNI-TEST LABORATORIES
ANSI Z21.11.2-2011



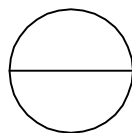
PLAN VIEW

OPTIONS: SAFETY SCREEN

*MUST BE SPECIFIED AT TIME OF ORDERING (SAFETY SCREEN IS RECOMMENDED FOR PUBLIC INSTALLATIONS)

NOTES:

1. INSTALLATION TO BE COMPLETED IN ACCORDANCE WITH MANUFACTURER'S SPECIFICATIONS.
2. DO NOT SCALE DRAWING.
3. THIS DRAWING IS INTENDED FOR USE BY ARCHITECTS, ENGINEERS, CONTRACTORS, CONSULTANTS AND DESIGN PROFESSIONALS FOR PLANNING PURPOSES ONLY. THIS DRAWING MAY NOT BE USED FOR CONSTRUCTION.
4. ALL INFORMATION CONTAINED HEREIN WAS CURRENT AT THE TIME OF DEVELOPMENT BUT MUST BE REVIEWED AND APPROVED BY THE PRODUCT MANUFACTURER TO BE CONSIDERED ACCURATE.
5. CONTRACTOR'S NOTE: FOR PRODUCT AND COMPANY INFORMATION VISIT www.CADdetails.com/info AND ENTER REFERENCE NUMBER 1847-001.



VENT FREE FIREPLACES

FIRE RIBBON VENT FREE 3' FIREPLACE (MODEL 53)